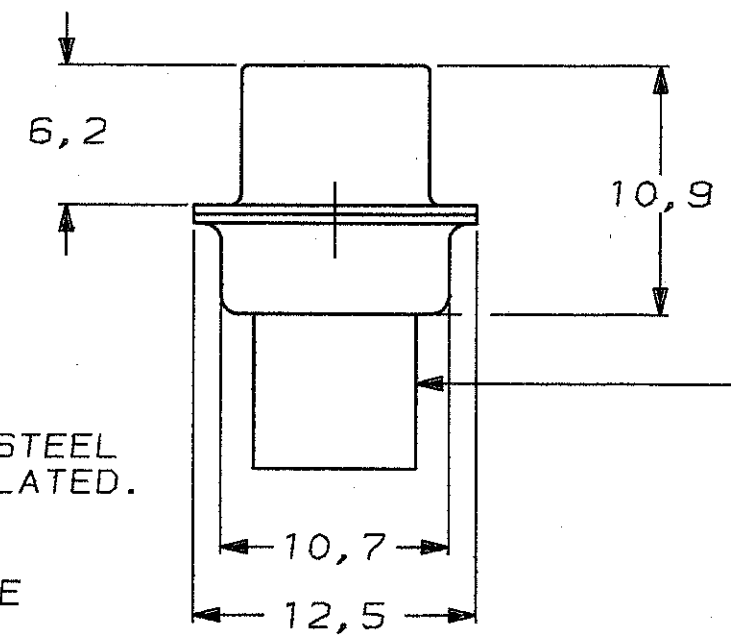
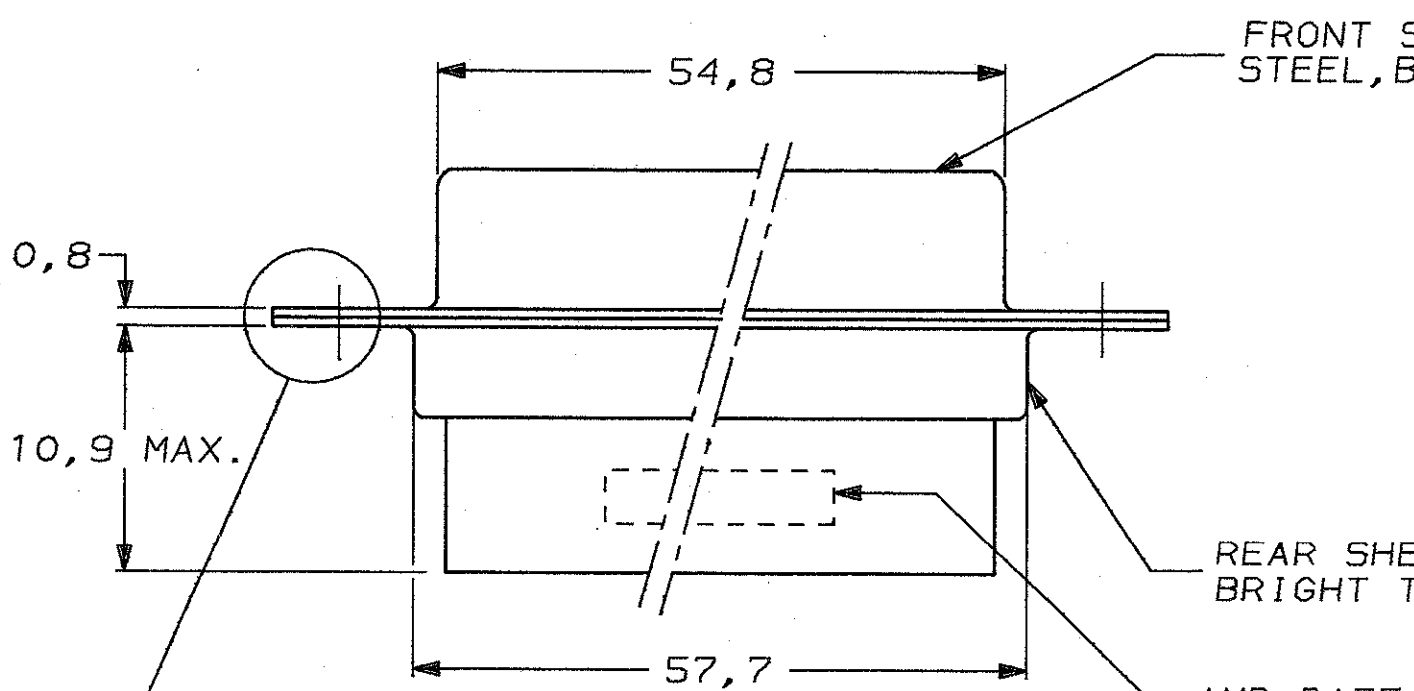


DO NOT SCALE
DIMENSIONS IN mm

METRIC

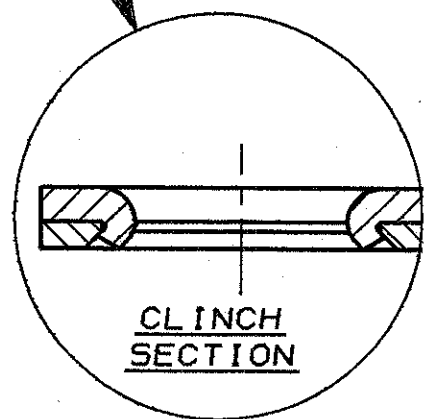


- NOTES:**
- 1 THIS RECEPTACLE ACCEPTS SIZE 22 REC. CONTACTS.
 - 2 RETENTION TINES ARE AN INTEGRAL PART OF INSERT.
 - 3 CONTACT INSERTION/REMOVAL TOOL AMP P.N. 91285-1 IS RECOMMENDED FOR USE WITH THESE CONNECTORS:



INSERTS: NYLON
GLASS-FILLED
SELF-EXTINGUISHING
COLOR: BLACK

AMP DATE CODE
AMP PARTNO.
INK STAMPED.



CUSTOMER DRAWING	SEE DRAWING	SEE DRAWING	216167-1
	FINISH	MATERIAL	PARTNUMBER
	AMP-HOLLAND B.V. 's-Hertogenbosch, The Netherlands.		
	THIS DRAWING IS UNPUBLISHED RELEASED FOR PRODUCTION		
FOR REFERENCE ONLY WILL NOT BE UPDATED	© COPYRIGHT 19- BY AMP-HOLLAND B.V. ALL INTERNATIONAL RIGHTS RESERVED. AMP PRODUCTS MAY BE COVERED BY U.S. AND FOREIGN PATENTS AND/OR PATENTS PENDING.		
DR. J. V. D. HEIJDEN.	DATE 07-12-88	WIRE RANGE -	NAME HDP-22 REC. CONNECTOR, SIZE 4, (62 POSITION)
CHK. <i>C. Wilboes</i>	DATE 2-1-89	INSUL. RANGE -	REV. DATE 07 12 88
APP. -	DATE 4-1-89	SIZE A3	SHEET 1 OF 1
		DWG. No.	C-216167
		REV. LTR.	0

8 7 6 5 4 3 2 1